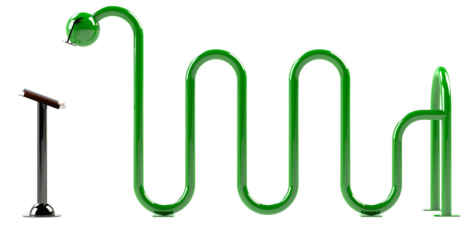


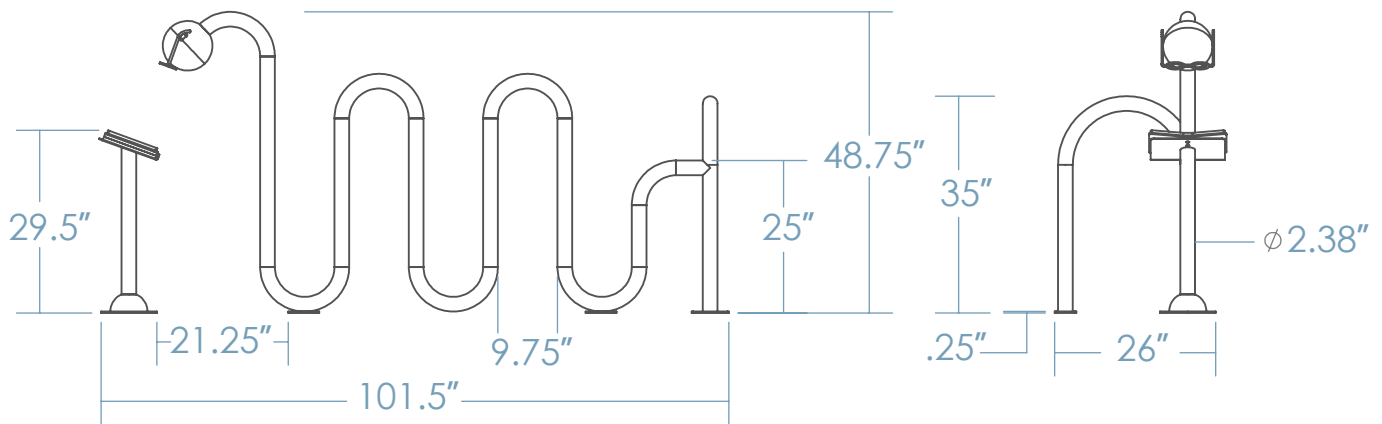
BOOKWORM BIKE RACK

Embrace the whimsy of literary charm with our Bookworm Bike Rack – a delightful fusion of imagination and practicality designed to securely hold two bikes. Inspired by the playful spirit of bookworms, it adds a touch of intellectual flair to any outdoor space. Crafted from durable materials, it stands as a sturdy and eye-catching fixture in libraries, bookstores, or literary-themed areas. Make a statement about your love for cycling and the joy of reading with the Bookworm Bike Rack – where practicality meets literary delight.



 x 2 COST \$\$\$\$

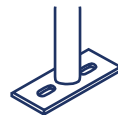
DIMENSIONS



Weight - 323 lb
Schedule 40 Pipe

MOUNTING OPTIONS

SURFACE MOUNT



FINISH OPTIONS

POWDER COAT

GALVANIZED STEEL

THERMOPLASTIC*

* will incur additional cost



QUANTITY _____

CUSTOMER _____

COLOR _____

PROJECT _____

DATE _____

APPROVED BY _____